



Service Manual / Manuel de Service

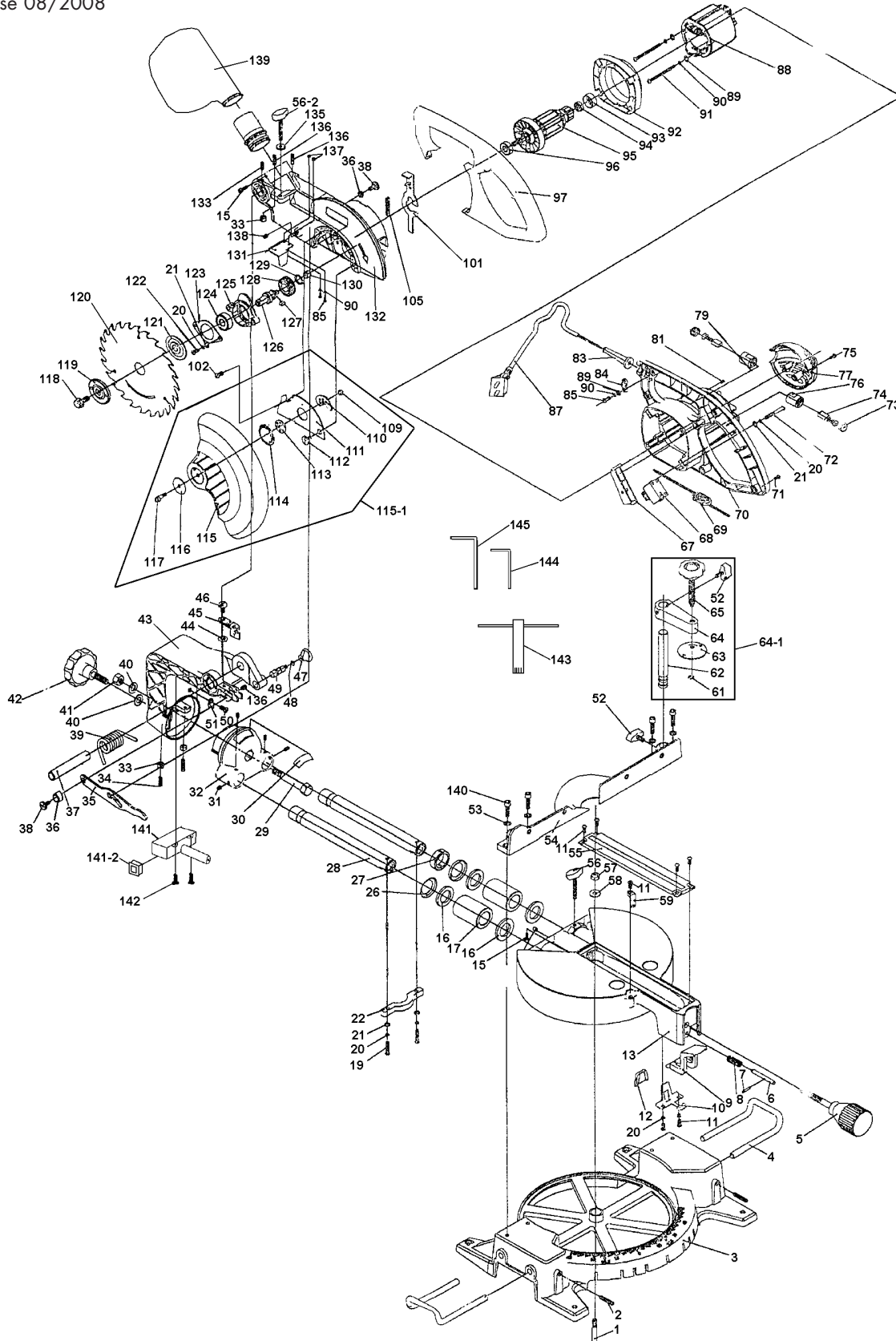
8 1/4" Compound Sliding Mitre Saw

Scie à Onglets Radiale à Angles Composés 8 1/4"



Revised/Revisé 08/2008

8370





Parts Pricing List / Liste de Prix des Pièces

8370

Diag.	Order # Com.	English Description	Description Française	Qty./Qté.	Price/Prix
1	4883700010	HEX. BOLT	BOULON HEX.	2	\$2.19
2	4883700020	SET SCREW	VIS SANS TETE	2	\$2.24
3	4883700030	BASE	SOCLE	1	\$67.85
4	4883700040	EXTENSION WING	EXTENSION DE TABLE	2	\$13.74
5	4883700050	TABLE LOCK HANDLE	POIGNEE DE VERROUILLAGE	1	\$7.76
6	4883700060	SHAFT	TIGE DE VERROUILLAGE	1	\$3.28
7	4883700070	PIN	GOUPILLE	1	\$2.01
8	4883700080	LOCK HANDLE SPRING	RESSORT DE LA POIGNEE	1	\$2.93
9	4883700090	LATCH	LOQUET	1	\$4.54
10	4883700100	LATCH PLATE	PLAQUE DU LOQUET	1	\$5.23
11	4883700110	SCREW	VIS	2	\$1.55
12	4883700120	PLASTIC PART	PIECE EN PLASTIQUE	1	\$2.59
13	4883700130	TABLE	TABLE	1	\$40.08
15	4883700150	PAN HD. SCREW	VIS A TETE RONDE	2	\$1.67
16	4883700160	FELT SEAL	SCELLANT EN FEUTRE	1	\$3.85
17	4883700170	LINEAR BEARING	ROULEMENT LINEAIRE	2	\$80.33
19	4883700190	SCREW	VIS	2	\$2.01
20	4883700200	SPRING WASHER	RONDELLE A RESSORT	4	\$1.44
21	4883700210	WASHER	RONDELLE	2	\$1.55
22	4883700220	SLIDE BRACKET	SUPPORT DU GLISSEMENT	1	\$5.35
26	4883700260	RING SEAL	ANNEAU DE RETENU	2	\$3.16
27	4883700270	LOCKING COLLAR	COLLET DE VERROUILLAGE	1	\$4.43
28	4883700280	SLIDE BAR	BARRE RADIALE	2	\$18.34
29	4883700290	AXLE BOLT	BOULON DE L'AXE	1	\$4.54
30	4883700300	BEVEL SCALE	EHELLE DU BISEAU	1	\$2.59
31	4883700310	SET SCREW	VIS SANS TETE	4	\$1.67
32	4883700320	SUPPORT BASE	SUPPORT DU BISEAU	1	\$27.54
33	4883700330	HEX. NUT W/FLANGE	ECROU HEX./RONDELLE	2	\$1.67
34	4883700340	SET SCREW	VIS SANS TETE	2	\$1.78
35	4883700350	SPRING PLATE	PLAQUE DE RESSORT	1	\$8.45
36	4883700360	BUSHING	BAGUE	1	\$2.24
37	4883700370	PIVOT SHAFT	TIGE DE PIVOTEMENT	1	\$4.54
38	4883700380	SPECIAL SCREW	VIS SPECIALE	1	\$2.93
39	4883700390	TORSION SPRING	RESSORT A TORSION	1	\$6.89
40	4883700400	WASHER	RONDELLE	2	\$1.67
41	4883700410	NYLON HEX. NUT	ECROU HEX. EN NYLON	1	\$1.73
42	4883700420	BEVEL LOCK KNOB	BOUTON DE VERROUILLAGE	1	\$6.73
43	4883700430	HEAD SUPPORT	BRAS SUPPORT DE LA TETE	1	\$79.35
44	4883700440	WAVE WASHER	RONDELLE ONDULEE	1	\$1.55
45	4883700450	DEPTH STOP PLATE	PLAQUE D'ARRET DE PROFONDEUR	1	\$3.39
46	4883700460	RD. HD. SCREW	VIS A TETE RONDE	1	\$3.16
47	4883700470	LOCK KNOB	BOUTON DE VERROUILLAGE	1	\$4.20
48	4883700480	O-RING	ANNEAU D'ETANCHEITE	1	\$1.32
49	4883700490	HEAD LOCKING SHAFT	TIGE DE VERROUILLAGE	1	\$4.31
50	4883700500	ROUND HD. SCREW	VIS A TETE RONDE	1	\$1.61
51	4883700510	POINTER	INDICATEUR	1	\$3.74
52	4883700520	LOCK KNOB	BOUTON DE VERROUILLAGE	1	\$3.39



Parts Pricing List / Liste de Prix des Pièces

8370

Diag.	Order # Com.	English Description	Description Française	Qty./Qté.	Price/Prix
53	4883700530	WASHER	RONDELLE	4	\$1.50
54	4883700540	FENCE	GUIDE D'APPUI	1	\$22.94
55	4883700550	TABLE INSERT	INSERTION DE TABLE	1	\$6.04
56	4883700560	SLIDE LOCK KNOB	BOUTON DE VERROUILLAGE	1	\$4.08
56-2	4883700562	DEPTH ADJUST KNOB	BOUTON DE PROFONDEUR	1	\$4.89
57	4883700570	HEX. NUT	ECROU HEX.	1	\$1.67
58	4883700580	WASHER	RONDELLE	1	\$1.55
59	4883700590	POINTER	INDICATEUR	1	\$2.01
61	4883700610	E CLIP	ANNEAU EN E	1	\$1.44
62	4883700620	WISE SHAFT	TIGE DE L'ETAU	1	\$5.58
63	4883700630	WISE HOLD FLANGE	BRIDE D'APPUI	1	\$3.74
64	4883700640	WISE ARM	BRAS SUPPORT DE L'ETAU	1	\$5.12
64-1	4883700641	COMPLETE VISE ASS'Y	ETAU COMPLET ASSEMBLE	1	\$20.53
65	4883700650	WISE LOCK KNOB	BOUTON DE VERROUILLAGE	1	\$5.58
67	4883700670	TRIGGER	GACHETTE	1	\$3.28
68	4883700680	SWITCH	INTERRUPTEUR	1	\$10.06
69	4883700690	CONNECTION WIRE	FIL DE CONNECTION	1	\$5.58
70	4883700700	MOTOR HOUSING	BOITIER DU MOTEUR	1	\$32.03
71	4883700710	SELF TAPPING SCREW	VIS AUTOTARAUDEUSE	7	\$1.67
72	4883700720	PAN HD. SCREW	VIS A TETE RONDE	4	\$1.78
73	4883700730	BRUSH CAP	CAPUCHON DU BALAI	2	\$1.67
74	4883700740	CARBON BRUSH SET (2)	JEU DE BALAI AU CARBONE (2)	1	\$15.81
75	4883700750	SELF TAPPING SCREW	VIS AUTOTARAUDEUSE	2	\$1.67
76	4883700760	BRUSH HOLDER	PORTE-BALAI	2	\$4.20
77	4883700770	MOTOR COVER	COUVERCLE DU MOTEUR	1	\$9.60
79	4883700790	SPRING INDUCTOR	RESSORT A INDUCTION	1	\$5.00
81	4883700810	SET SCREW	VIS SANS TETE	2	\$1.78
83	4883700830	CORD PROTECTOR	PROTEGE-CORDON	1	\$3.39
84	4883700840	CORD CLAMP	ATTACHE-CORDON	1	\$2.01
85	4883700850	SCREW	VIS	2	\$1.67
87	4883700870	POWER CORD	CORDON D'ALIMENTATION	1	\$11.44
88	4883700880	FIELD COIL	BOBINE D'ENTRAINEMENT	1	\$45.94
89	4883700890	WASHER	RONDELLE	2	\$1.55
90	4883700900	SPRING WASHER	RONDELLE A RESSORT	2	\$1.55
91	4883700910	SCREW	VIS	2	\$1.55
92	4883700920	WIND GUARD	GARDE DU VENTILATEUR	1	\$10.06
93	4883700930	BEARING SUPPORT	SUPPORT DU ROULEMENT	1	\$6.84
94	4883700940	BALL BEARING	ROULEMENT A BILLES	1	\$13.74
95	4883700950	ARMATURE	ARMATURE	1	\$56.06
96	4883700960	BALL BEARING	ROULEMENT A BILLES	1	\$10.29
97	4883700970	LEFT HANDLE	POIGNEE GAUCHE	1	\$16.04
101	4883701010	BLADE LOCK	BOUTON D'ARRET DE LA LAME	1	\$7.53
102	4883701020	CAP SCREW	BOULON A TETE CYLINDRIQUE	1	\$1.67
105	4883701050	SPRING	RESSORT	1	\$2.70
109	4883701090	HEX. NUT	ECROU HEX.	1	\$1.55
110	4883701100	INNER GUARD	GARDE INTERIEUR	1	\$4.43
111	4883701110	SHIELD	PLAQUE	1	\$6.04

Pricing subject to change without prior notice. / Prix sujet à changement sans préavis.



Parts Pricing List / Liste de Prix des Pièces

8370

Diag.	Order # Com.	English Description	Description Française	Qty./Qté.	Price/Prix
112	4883701120	SPECIAL SCREW	VIS SPECIALE	1	\$2.24
113	4883701130	POSITIONNER	PIECE DE POSITIONNEMENT	1	\$3.16
114	4883701140	SPRING	RESSORT	1	\$3.16
115	4883701150	BLADE GUARD	PROTEGE-LAME EN PLASTIQUE	1	\$22.83
115-1	4883701151	BLADE GUARD ASS'Y (109 TO 117)	PROTEGE-LAME ASS. (109 A 117)	1	\$34.33
116	4883701160	LARGE WASHER	RONDELLE LARGE	1	\$2.01
117	4883701170	BLADE GUARD SCREW	VIS DU PROTEGE-LAME	1	\$2.13
118	4883701180	BLADE BOLT	BOULON DE LA LAME	1	\$3.28
119	4883701190	OUTER FLANGE	RONDELLE EXTERIEURE	1	\$4.31
120	KSC-824T	BLADE	LAME	1	-
121	4883701210	INNER FLANGE	RONDELLE INTERIEURE	1	\$4.20
122	4883701220	SCREW	VIS	2	\$1.73
123	4883701230	BEARING COVER	COUVERCLE DU ROULEMENT	1	\$3.62
124	4883701240	BALL BEARING	ROULEMENT A BILLES	1	\$12.59
125	4883701250	BEARING CASE	BOITIER DU ROULEMENT	1	\$5.00
126	4883701260	TRANSMISSION SHAFT	TIGE DE TRANSMISSION	1	\$21.79
127	4883701270	KEY	CLE DE RETENUE	1	\$1.84
128	4883701280	GEAR	ENGRENAGE	1	\$32.03
129	4883701290	C CLIP	ANNEAU EN C	1	\$1.55
130	4883701300	NEEDLE BEARING	ROULEMENT A AIGUILLES	1	\$22.94
131	4883701310	COVER PIECE	PIECE DE COUVERTURE	1	\$3.39
132	4883701320	HEAD FRAME	BOITIER DE LA TETE	1	\$52.73
133	4883701330	SET SCREW	VIS SANS TETE	1	\$1.78
135	4883701350	SPECIAL NUT	ECROU SPECIAL	1	\$2.24
136	4883701360	SET SCREW	VIS SANS TETE	3	\$1.78
137	4883701370	HEX. NUT	ECROU HEX.	1	\$1.55
138	4883701380	SET SCREW	VIS SANS TETE	1	\$1.55
139	4883701390	DUST BAG	SAC DE POUSSIERE	1	\$17.19
140	4883701400	CAP SCREW	BOULON A TETE CYLINDRIQUE	1	\$2.70
141	4883701410	LASER GUIDE SYSTEM ASS'Y	GUIDE LASER ASSEMBLE	1	\$22.94
141-2	4883701412	LASER BOX SWITCH	INTERRUPTEUR DU LASER	1	\$5.23
142	4883701420	CAP SCREW	BOULON A TETE CYLINDRIQUE	2	\$1.90
143	4883701430	BLADE KEY	CLE DE LA LAME	1	\$7.76
144	4883701440	3MM HEX. KEY	CLE HEX. 3MM	1	\$2.59
145	4883701450	4MM HEX. KEY	CLE HEX. 4MM	1	\$2.70
	488370MBIL	BILINGUAL MANUAL 8370	MANUEL BILINGUE 8370	1	\$15.00